

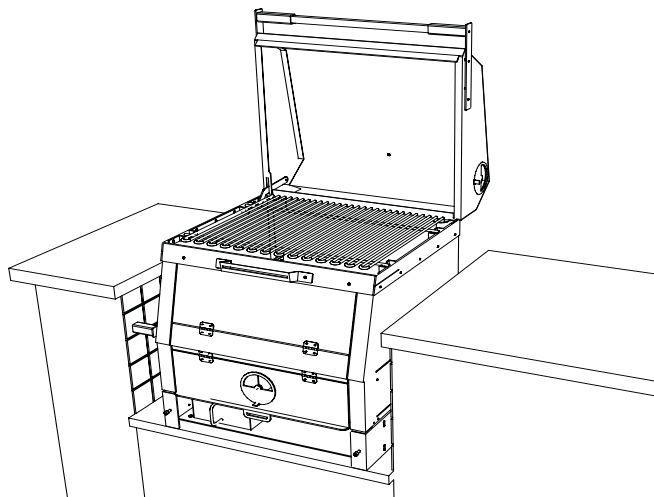


German Grill

Built-In Base for B1 Charcoal Grill

The built-in base is a simple mount that securely holds the grill in permanent installations. The mount bolts to any flat solid horizontal surface and the grill drops into the mount securely.

- 11 gauge (1/8 inch thick) steel
- Thick, two-coat epoxy paint finish for durability
- Stainless steel hardware
- Side trim panels for a clean and integrated appearance
- Tool hooks



Counter or Island configuration

Rough-In Guidelines

This mount is designed for maximum flexibility when planning your outdoor kitchen. We don't force you into a given rough-in size and mounting configuration. You simply allow a 30 inch (or greater) recess in the counter or island and make sure the cover doesn't hit anything when you open it. It's really that easy.

You can also vary the depth to align the grill or to leave it proud of the countertop. The diagrams in this sheet show an opening that is 17 inches deep. This places the cooking grate five inches above the countertop line, and gives you 14 inches below the grill for a cabinet door, or charcoal storage area. You can put it wherever you think is best for your height and style of cooking.

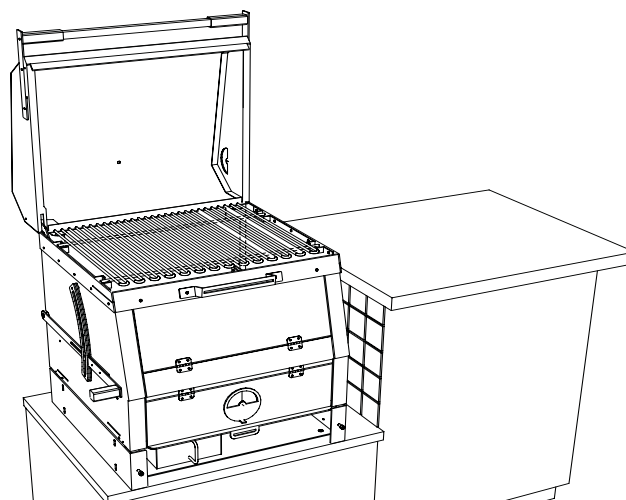
You can also vary the position fore and aft. Just allow eight inches clearance measuring from the rear of the firebox so you can fully open the cover without hitting anything.

Line the sides of the opening with a non-flammable surface over cement board and metal studs. Most local building codes treat a charcoal grill the same as a woodstove. This usually means nothing flammable within 36 inches of the grill.

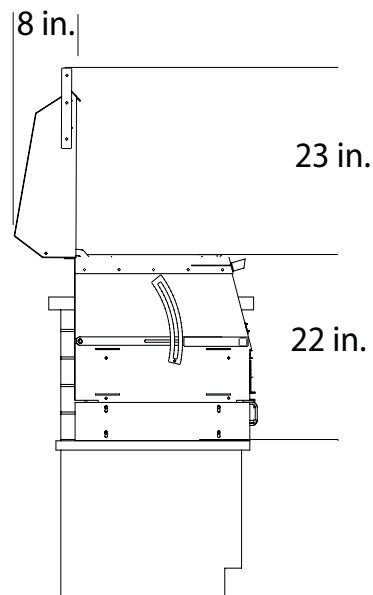
Use a stone, tile, or concrete base over a sturdy framing structure. The grill and mount weigh roughly 200 pounds. So if the opening is 24" by 30" you need a base that can support 40 pounds per square foot.

We recommend that you mount the grill on the end of the counter so you have full access to the lift handle on the left side of the grill. But that's certainly not the only way to do it. If you allow 30" of clearance in a mid-counter installation—you'll have plenty of room.

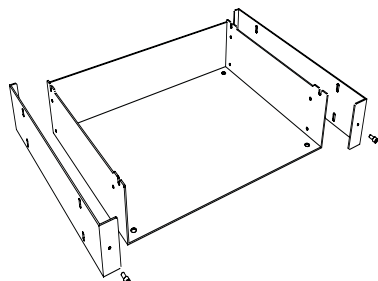
The base mounts to the enclosure with four lag bolts or screws in the bottom panel. The side trim panels mount to the base with stainless screws and nuts.



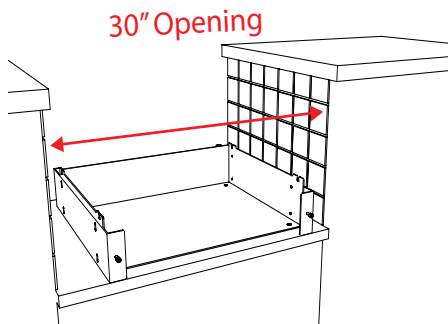
End mount (recommended)



Critical Dimensions



Base and Side Trim Panels



30" Opening